



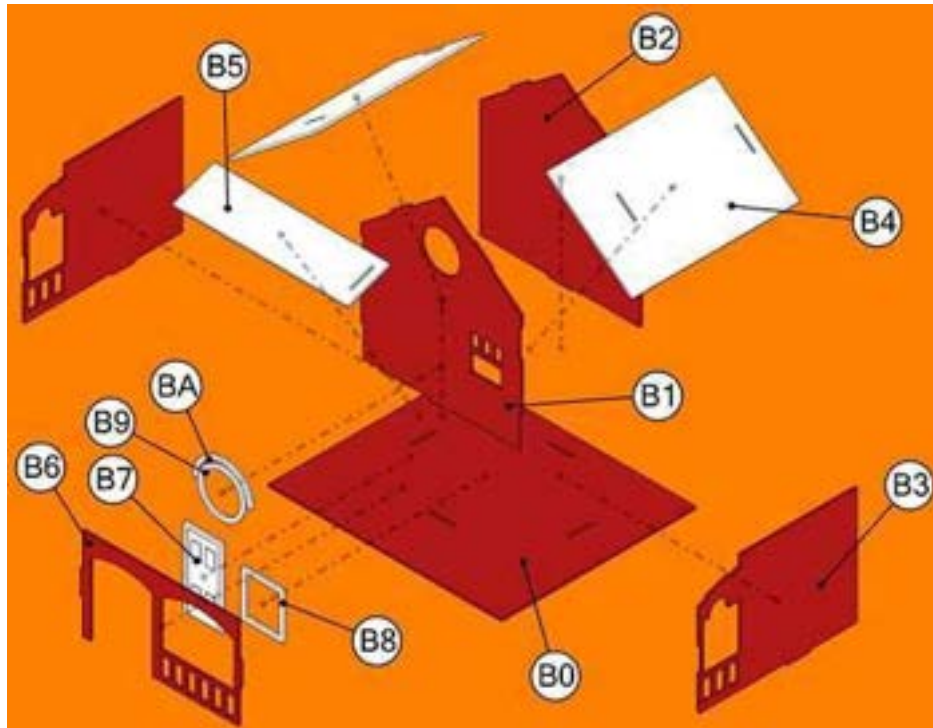
ASSEMBLY INSTRUCTIONS

CANARY COTTAGE BIRDHOUSE

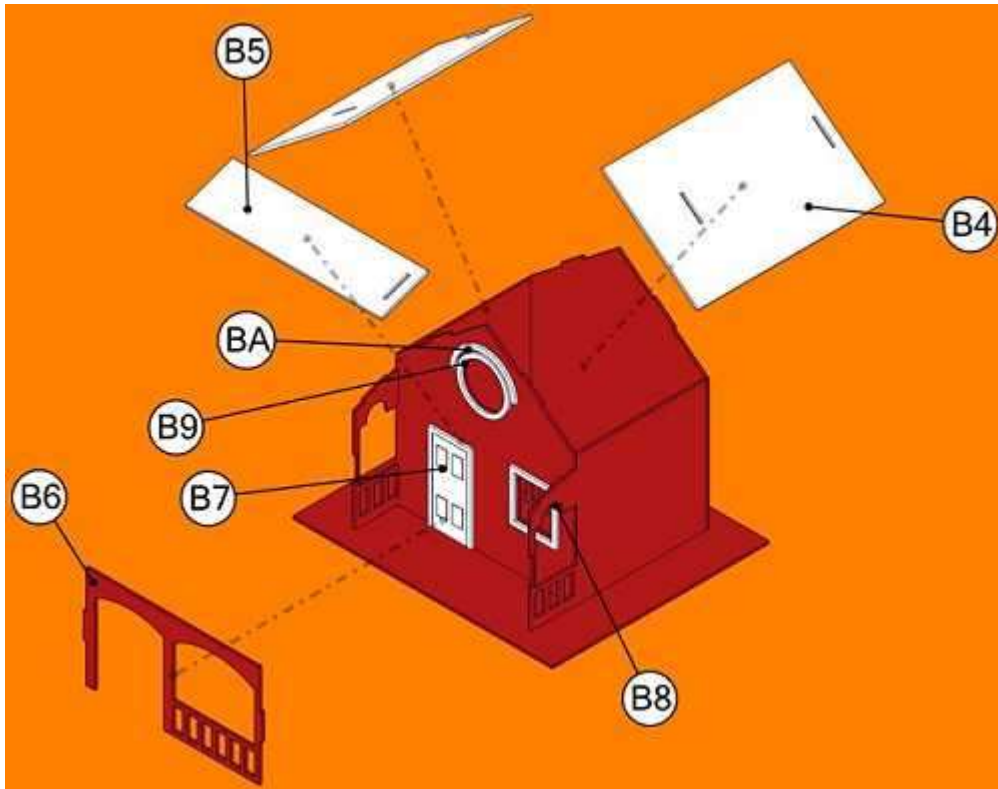
HINTS & TIPS

Always use a good quality wood glue. You may find low tack masking tape useful to hold things together while drying. Make sure you wipe away any glue oozes immediately with a damp cloth.





- Your kit will arrive as flat pack pieces – lay them out before you begin with good sides out.
- Glue and slot together the front piece (B1), back piece (B2), and the 2 sides (B3) – this forms the box of the birdhouse. Glue and slot this onto the base (B0).



- Glue the ring shape (B9) over the birdhouse entrance (Note: piece BA not included in this kit).
- Add the door (B7) and window (B8) to the front of the house.
- Slot and glue on the porch front piece (B6)
- Slot and glue on the porch roof (B5) then the 2 roof pieces (B4)



- The finished piece with a basic paint job!
- For best results, seal the finished piece with a suitable acrylic sealer – DecoArt Mod Podge in matte is highly recommended. This provides a uniform surface on which to paint.
- You can also use Mod Podge as a glue to cover all or part of the birdhouse with pretty papers – use the unassembled kit pieces as a pattern.

We hope you've enjoyed putting your kit together.